

## Teknikum® Rubber Lined STEEL REDUCERS



### APPLICATIONS

---

Rubber lined steel pipes are the best choice for pipelines where a need of inflexibility and permanent load bearing capacity of a pipe is critical. Such pipeline sections are often found in slurry process flows of concentrating plants for areas of junction to pumps, technological equipment (mills, separators, flotation cells, thickeners, filters, cyclones, classifiers), process tanks, flows separation in mining, cement industry and coal industry.

Teknikum rubber lining provides long life and wear protection for the pipes, while ensuring maximum capacity of material handling.

### ADVANTAGES

---

- Great wear resistance of lining
- Very strong adhesion to steel
- Good strength values
- Low flow resistance
- Listed standard sizes and forms are available with quick delivery

- Retains the free flow area without turbulence at the couplings
- Pipe ends are vulcanized by rubber to eliminate leakages without the need of extra gaskets
- Delivery reliability – the used rubber compounds are developed and manufactured in-house by Teknikum

### CUSTOMIZED SOLUTIONS

---

- Customized configurations of pipes and branches as well as complex technical solution are made by order
- Wide range of customized arrangements, typical range from DN50 mm up to DN 400 mm.
- Rubber lining with intermediate wear indication red layer is possible for visual wear indication.

### LINING RUBBER

---

#### Teknikum WEAR SAFE™ Black 40 or 60

Natural rubber and butadiene rubber mixture based on black soft rubber, which is highly resistant to various abrasive slurries. This proven compound is used in mining environment, seawater applications and various process industry applications.

The hardness 40 ShA is great for abrasion resistance supported by excellent resilience to stand flexible surface for material flow.

The hardness 60 ShA is great for tear resistance supported by excellent resilience to stand flexible surface for material flow.

Developed for the mining industry, e.g. material transfer at concentration plants and tailings pipelines.

Autoclave vulcanization.

*More details on compound datasheet.*

## Teknikum WEAR SAFE™ Red 40

Natural rubber and butadiene rubber mixture based on black soft rubber compound, which is highly resistant to various abrasive slurries used at mining environment and other process industry applications.

The hardness 40 ShA is great for abrasion resistance supported by excellent resilience to stand flexible surface for material flow.

Developed for the mining industry, e.g. material transfer at concentration plants and tailings pipelines. The red color allows use as visual wear indicator in case of two (2) layers of rubber lining is placed (black soft rubber lining on top).

Autoclave vulcanization.

*More details on compound datasheet.*

## TECHNICAL PROPERTIES

### Standard configuration includes:

- Flat flanges according to EN1092-1
- Steel: P235 JRG2
- Typical flange connection PN10
- Rubber lining elastomer:
  - Natural rubber and butadiene rubber (NR/BR)
  - Hardness 40 or 60 ShA
  - Color black (or red)
- Thickness of rubber lining:
  - 5 mm for pipes DN50-DN300, flanges 5mm
  - 10 mm from DN350 mm, flanges 5mm
- Body steel in accordance with P235TR1

- Surface treatment:
  - preparation grade Sa 2.5
  - painting system EP180/1
  - default color gray
- Mounting kit for flanges can be included into a scope
- Any other standards can be applied in the manufacturing according to customers' requirements

## QUALITY & COMPLIANCE

The manufacturing quality control is based on ISO-9001 certified systems.

Teknikum rubber compounds do not contain any RoHS 2 controlled substances or phthalates and are compliant with REACH directive.

The compounds do not contain any substances named on the SVHC (Substances of Very High Concern) candidate list XIV of REACH.

## MANUFACTURER

Teknikum Oy (Business ID FI07645274),  
Nokiankatu 1, 38210, Sastamala, Finland

### Sales & Marketing

Teknikum Group, Lining BU

### More information

[sales@teknikum.com](mailto:sales@teknikum.com)

[www.teknikum.com](http://www.teknikum.com)

All rights reserved. © 2022 Teknikum Group Ltd.



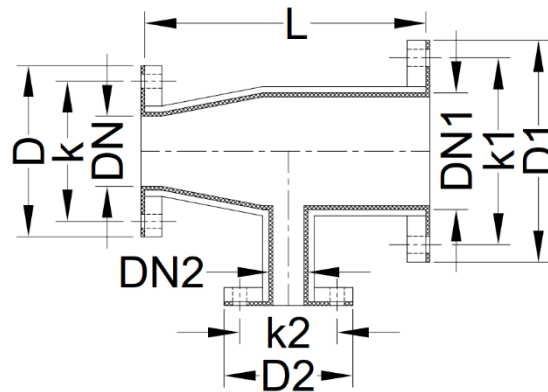
ORDER REFERENCE: **RUBBER LINED REDUCERS**

Rubber Lined Steel Reducers									
	Product code	DN	DN1	k	k1	D	D1	L	s
	LRLR-050-080	50	80	125	145	165	200	140	5
	LRLR-080-100	80	100	145	180	200	180	145	5
	LRLR-100-125	100	125	180	210	220	250	160	5
	LRLR-100-150	100	150	180	240	220	285	175	5
	LRLR-150-200	150	200	240	295	285	340	190	5
	LRLR-150-250	150	250	240	350	285	395	215	5
	LRLR-200-250	200	250	295	350	340	395	215	5
	LRLR-200-300	200	300	295	400	340	445	245	5
	LRLR-250-300	250	300	350	400	395	445	245	5
	LRLR-250-350	250	350	350	460	395	505	375	10
	LRLR-300-350	300	350	400	460	445	505	375	10
	LRLR-300-400	300	400	400	515	445	565	405	10
	LRLR-350-400	350	400	460	515	505	565	405	10

REFERENCE IMAGES



ORDER REFERENCE: **RUBBER LINED REDUCER WITH BRANCH**



Rubber Lined Steel Reducers with branch											
Product code	DN	DN1	DN2	k	k1	k2	D	D1	D2	L	s
LRLV-050-080	50	80	50	125	145	125	165	200	165	320	5
LRLV-080-100	80	100	50	145	180	125	200	180	165	330	5
LRLV-100-125	100	125	50	180	210	125	220	250	165	360	5
LRLV-100-150	100	150	50	180	240	125	220	285	165	370	5
LRLV-150-200	150	200	80	240	295	145	285	340	200	400	5
LRLV-150-250	150	250	80	240	350	145	285	395	200	420	5
LRLV-200-250	200	250	80	295	350	145	340	395	200	420	5
LRLV-200-300	200	300	80	295	400	145	340	445	200	450	5
LRLV-250-300	250	300	80	350	400	145	395	445	200	410	5
LRLV-250-350	250	350	100	350	460	180	395	505	220	590	10/5
LRLV-300-350	300	350	100	400	460	180	445	505	220	590	10/5
LRLV-300-400	300	400	100	400	515	180	445	565	220	620	10/5
LRLV-350-400	350	400	100	460	515	180	505	565	220	650	10/5

REFERENCE IMAGES

