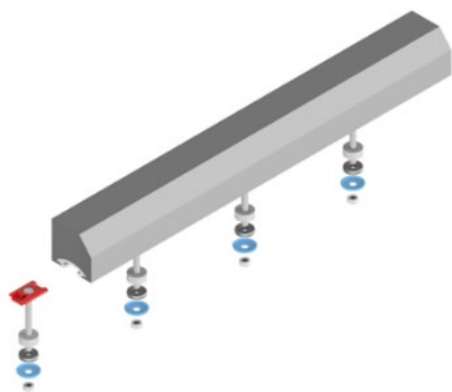


TEKNIKUM® Mill Liner Attachment Systems



Teknikum® Mill Liner Attachment Systems are two types of solutions for clamp block or T-bolt based systems.

Clamp block system is based on aluminum profile and clamp block. The attachment set includes clamp block, bolt, cellular plastic washer, rubber seal washer, steel cup washer and nut. The size and shape of the aluminum profile is chosen according to lifter bar size and the charge volume of the mill.

The T-bolt attachment system is based on aluminum or steel profile and T-bolts, is basically the same than with clamp blocks. In this solution T-bolt replaces the combination of the clamp block and normal bolt.

ADVANTAGES

- Easy installation
- Reliable and secure connection
- Leak proof design
- Designed against slurry racing effect to bolts

TECHNICAL PROPERTIES

Fixing profile Aluminum or steel fixing profile can be selected depending on the process. Fixing can be done with clamp block or T-bolt depending of fixing profile.

Anti-Flushing strip is used to prevent slurry racing on mill heads. The cellular plastic strip is installed between bolts on mill head lifter bars.

Versions & structure

- **Clamp Block System**
 - aluminum fixing profile on lifter bar
 - bolt
 - clamp block
 - cellular plastic washer
 - rubber seal washer
 - steel cup washer
 - fixing nut
- **T-Bolt System**
 - aluminum or steel fixing profile on lifter bar
 - T-bolt
 - cellular plastic washer
 - rubber seal washer
 - steel cup washer
 - fixing nut

MANUFACTURER

Teknikum Oy (Business ID FI07645274),
Nokiankatu 1, 38210, Sastamala, Finland

Sales

Teknikum Group, Lining BU

More information

sales@teknikum.com

www.teknikum.com

All rights reserved. © 2020 Teknikum Group Ltd.

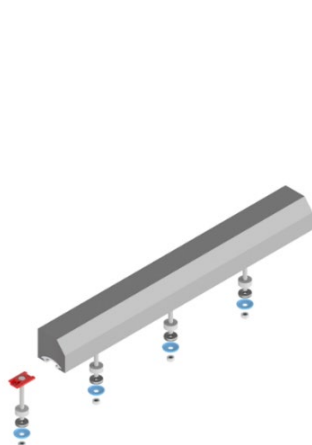


ORDER REFERENCE

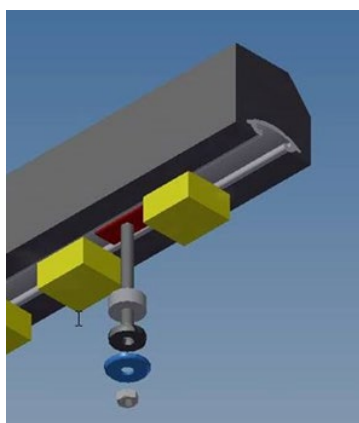
Other dimensions available on request.

Version	Fixing size	Fixing profile type	Fixing profile material
Clamp Block System M16	M16	AP105P	aluminum
Clamp Block System M20	M20	AP120P	aluminum
Clamp Block System M24	M24	AP140	aluminum
Clamp Block System M30	M30	AP180	aluminum
Clamp Block System M36	M36	AP180HD	aluminum
T-Bolt AP95S	M16-30	AP95S	aluminum
T-Bolt AP120S	M16-30	A120S	aluminum
T-Bolt AP150S	M16-M30	AP150S	aluminum
T-Bolt Steel type A	M16-M30	Type A	steel
T-Bolt Steel type B	M16-M30	Type B	steel
T-Bolt Steel type B HD	M16-M30	Type B HD	steel

REFERENCE IMAGE



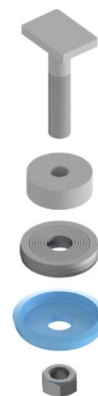
Clamp Block System



Anti-flushing strip



Clamp Block System



T-Bolt System