

## Teknikum® Reducer



### APPLICATIONS

Teknikum Reducers make it possible to connect hoses and pipes of different diameters. Flexible reducer compensates vertical and horizontal movements in pipelines and damps vibrations. Reducer is at its best e.g. when connecting a pump with a steel pipeline.

The standard reducers use rubber flanges and steel support flanges. Available also with other connector systems according to the applications and conditions. Please check the suitable couplings and flanges options below.

Available in a wide range of customized dimensions and rubber materials (NR, SBR, NBR or EPDM rubber) and for extremely abrasive solutions with CERAMIC inner lining\* (\*only with PLUS™ connection).

NR rubber hose has antistatic properties, providing electrical conductivity and increased safety against ESD.

Teknikum reducer material versions: EPDM (chemical resistant) or NBR (oil resistant) rubber materials.

### ADVANTAGES

- Safe and durable connection for material handling
- Excellent resistance to abrasion and weather
- Eliminates vibrations and noise
- ESD protection with Antistatic version
- EPDM and NBR material options
- Quick and easy installation
- Optionally with PLUS™ flanges

### TECHNICAL PROPERTIES

#### Structure

- Tube: black NR 45 ShA
  - smooth
  - wear resistant
  - antistatic
- Reinforcement
  - textile
- Cover: black SBR 60 ShA
  - wear and weather resistant
  - antistatic
- Burst safety factor 2 x working press.

#### Temperature range

- NR / SBR -40°C - +80°C.
- NBR -40°C - +90°C.
- EPDM -40°C - +100°C.

#### Electrical properties

Teknikum TITAN™ reducer (NR):

- Conductive cover  $R \leq 10^6 \Omega$  / length
- Conductive through the hose wall  $R \leq 10^9 \Omega$

## MANUFACTURER

Teknikum Oy (Business ID FI07645274),  
Nokiankatu 1, 38210, Sastamala, Finland

### More information

sales@teknikum.com

www.teknikum.com

## SUITABLE COUPLINGS AND FLANGES

Standard hose is made with Teknikum® Flange connection. Supporting flanges or drilling are not included in product prices.

See connecting versions details in:

- **Teknikum® Flange** datasheet.
- **Teknikum® PLUS™ flange** datasheet.

Optionally we recommend Teknikum PLUS™ flange system.

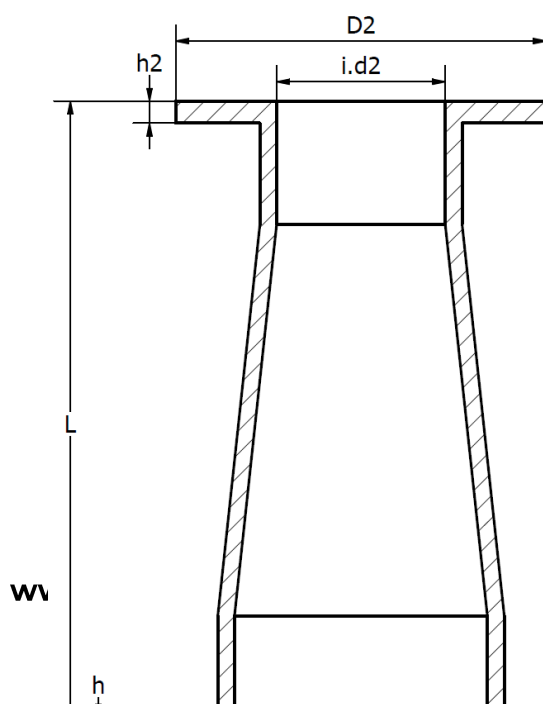
### 3D-model library for connecting hoses





[www.teknikum.com/3D](http://www.teknikum.com/3D)



## ORDER REFERENCE & DIMENSIONS

Standard measures on the below table and customized measures apply also to NBR (product code starting HLKS) and EPDM hose reducer (product code starting HLKE).



Product code 	Ø i.d / i.d2 mm 	Ø D / D2 mm	h / h2 mm	L standard (L max) mm	Working press. bar 	Weight kg/pc 
<b>Teknikum® TITAN™ Reducer (NR) <span style="background-color: yellow; border: 1px solid black; padding: 2px;">A</span></b>						
LKR80-50	80 / 50	200 / 165	12 / 10	380 (480)	10	2,8
LKR90-50	90 / 50	285 / 165	13 / 10	380 (480)	10	3,6
LKR90-80	90 / 80	285 / 200	13 / 12	380 (480)	10	5,6
LKR100-50	100 / 50	220 / 165	13 / 10	380 (480)	10	4,0
LKR100-63	100 / 63	220 / 185	13 / 10	380 (480)	10	3,3
LKR125-100	125 / 100	250 / 220	14 / 13	380 (480)	10	5,7
LKR150-80	150 / 80	285 / 200	15 / 12	380 (480)	10	5,9
LKR150-100	150 / 100	285 / 220	15 / 13	380 (480)	10	6,0
LKR150-125	150 / 125	285 / 250	15 / 14	380 (480)	10	6,2
LKR200-100	200 / 100	340 / 220	16 / 13	380 (480)	6	7,2
LKR200-125	200 / 125	340 / 250	16 / 14	380 (480)	6	7,2
LKR200-150	200 / 150	340 / 285	16 / 15	380 (480)	6	7,6
LKR250-200	250 / 200	395 / 340	16	380 (480)	6	7,9
LKR300-200	300 / 200	445 / 340	16	500 (600)	6	8,5
LKR300-250	300 / 250	445 / 395	16	380 (480)	6	9,0
LKR350-250	350 / 250	500 / 395	16	500 (600)	6	9,4
LKR350-300	350 / 300	500 / 445	16	500 (600)	6	11,0

LKR500-350	500 / 350	670 / 500	16	500 (600)	6	12,0
LKR600-450	600 / 450	780 / 615	16	500 (600)	6	25,0
LKR600-500	600 / 500	780 / 670	16	500 (600)	6	32,2
LKR850-500	850 / 500	1015 / 715	16	600 (700)	6	65,0
LKR850-550	850 / 550	1015 / 840	16	600 (700)	6	67,0

Ask for more information, also other dimensions available on request.

## REFERENCE IMAGES

With recommended  
**Teknikum® PLUS™**  
flange system



With **Teknikum® Support**  
**Flange** coupling

