

## Teknikum® Balance Flexible rubber joints



### APPLICATIONS

Teknikum Balance rubber expansion joints are used to eliminate slow and slight thermal expansion in pipelines as well as attenuation of noise and vibrations. In pipeline, they can be also used as connection points for e.g. machinery and equipment to other structures.

### ADVANTAGES

- Safe and durable material handling solution
- Excellent resistance to abrasion and weather
- Eliminates vibrations and noise
- EPDM, NR and NBR material options for wear, chemical and oil resistance
- Quick and easy installation

### TECHNICAL PROPERTIES

#### Structure

- Cover and tube: EPDM, chemical resistant - **type LCE**  
Optionally:
  - NR, wear- resistant - **type LCR**
  - NBR, oil- resistant - **type LCS**
- Reinforcement: textile

#### Temperature range

- NR: -40°C... +70°C
- NBR: -40°C... +90°C
- EPDM: -40°C... +100°C

### SUITABLE COUPLINGS AND FLANGES

The flange is included in the delivery. The material is hot galvanized steel and flange dimensions are complying DIN 2642 / EN 1092-1 / SFS 2170 PN10.

### 3D-model library for connecting hoses

[www.teknikum.com/3D](http://www.teknikum.com/3D)

### MANUFACTURER

Teknikum Oy (Business ID FI07645274),  
Nokiankatu 1, 38210, Sastamala, Finland

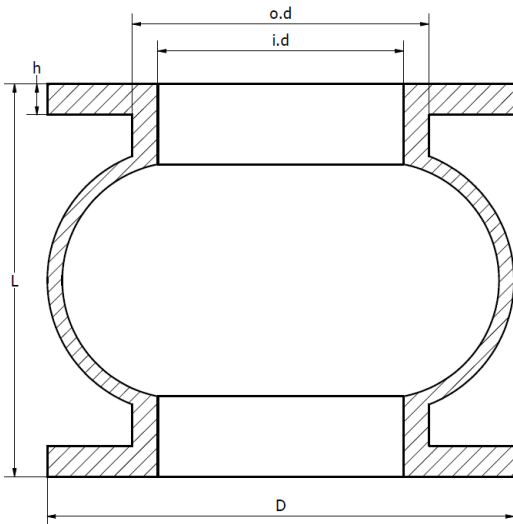
### More information





[sales@teknikum.com](mailto:sales@teknikum.com)  
[www.teknikum.com](http://www.teknikum.com)



## ORDER REFERENCE & DIMENSIONS

Standard measures on the below table apply also to NBR (product code starting HLCR) and NR hose (product code starting HLCR).



Product code 	Ø i.d mm 	L mm	Working press. bar 	Axial flexibility mm	Lateral flexibility mm	Angular deviation	Weight kg/pc 
LCE10080	80	130	16	± 30	± 30	30°	7,4
LCE10100	100	130	16	± 30	± 30	25°	8,6
LCE10125	125	130	16	± 30	± 30	25°	11,0
LCE10150	150	130	16	± 30	± 30	20°	13,3
LCE10200	200	130	10	± 30	± 30	15°	18,5
LCE10250	250	130	10	± 30	± 30	10°	21,5

## REFERENCE IMAGES

With **Teknikum® BALANCE Flange**



[www.teknikum.com](http://www.teknikum.com) • [sales@teknikum.com](mailto:sales@teknikum.com)

All rights reserved. ©Teknikum Group Ltd 2026